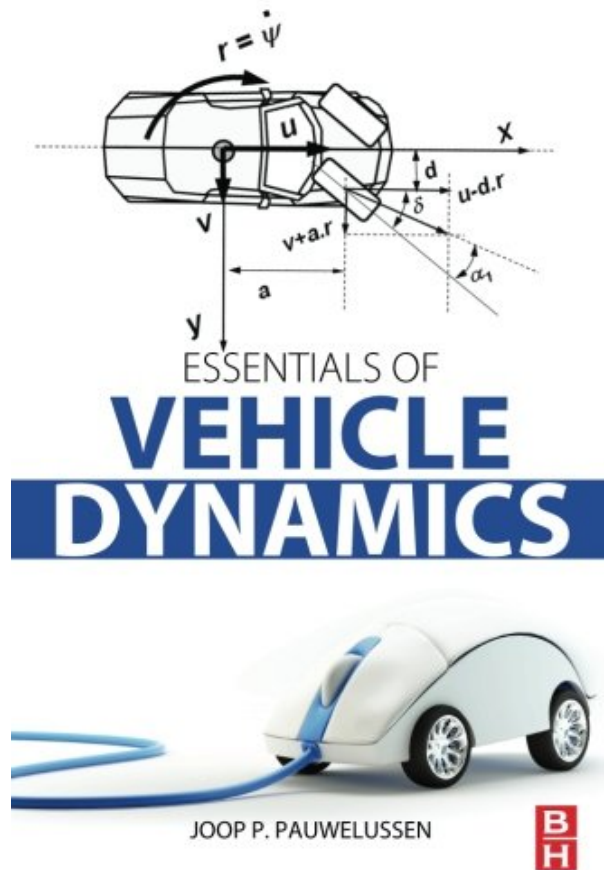
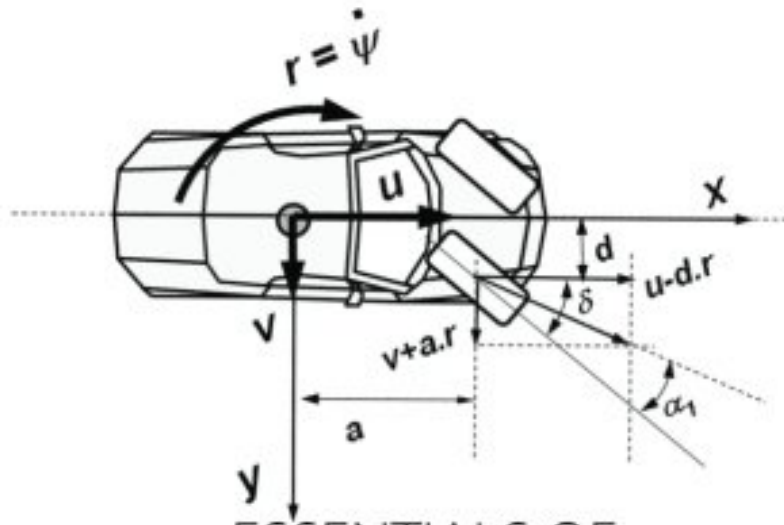


ESSENTIALS OF VEHICLE DYNAMICS BY JOOP PAUWELUSSEN



DOWNLOAD EBOOK : ESSENTIALS OF VEHICLE DYNAMICS BY JOOP
PAUWELUSSEN PDF

 [Free Download](#)



ESSENTIALS OF
VEHICLE
DYNAMICS



JOOP P. PAUWELUSSEN



Click link bellow and free register to download ebook:
ESSENTIALS OF VEHICLE DYNAMICS BY JOOP PAUWELUSSEN

[DOWNLOAD FROM OUR ONLINE LIBRARY](#)

ESSENTIALS OF VEHICLE DYNAMICS BY JOOP PAUWELUSSEN PDF

Why ought to be *Essentials Of Vehicle Dynamics By Joop Pauwelussen* in this site? Get much more earnings as exactly what we have actually told you. You can discover the other alleviates besides the previous one. Alleviate of obtaining guide *Essentials Of Vehicle Dynamics By Joop Pauwelussen* as just what you really want is also offered. Why? We provide you numerous type of the books that will not make you feel bored. You could download them in the web link that we give. By downloading *Essentials Of Vehicle Dynamics By Joop Pauwelussen*, you have actually taken the proper way to choose the ease one, compared with the inconvenience one.

About the Author

Dr. Pauwelussen has 20 years' experience in vehicle dynamics and currently teaches vehicle technology with a special interest in tires and driver behavior. He worked as Research Manager for vehicle dynamics at TNO for 11 years prior to his current position, where he managed a number of high profile research projects. At HAN University of Applied Sciences, he established a professional master's automotive program covering structural mechanics, vehicle dynamics and vehicle control. With a background in mathematics and mechanics, his research and teaching are focused on balancing practical engineering with a thorough, mathematical treatment.

ESSENTIALS OF VEHICLE DYNAMICS BY JOOP PAUWELUSSEN PDF

[Download: ESSENTIALS OF VEHICLE DYNAMICS BY JOOP PAUWELUSSEN PDF](#)

Essentials Of Vehicle Dynamics By Joop Pauwelussen. Provide us 5 mins and we will certainly show you the best book to read today. This is it, the Essentials Of Vehicle Dynamics By Joop Pauwelussen that will be your finest option for better reading book. Your 5 times will certainly not spend lost by reading this web site. You could take guide as a resource making better idea. Referring the books Essentials Of Vehicle Dynamics By Joop Pauwelussen that can be located with your requirements is at some point hard. But below, this is so easy. You could find the very best thing of book Essentials Of Vehicle Dynamics By Joop Pauwelussen that you can read.

When getting this e-book *Essentials Of Vehicle Dynamics By Joop Pauwelussen* as reference to review, you could obtain not just motivation yet likewise new expertise and also lessons. It has even more than usual advantages to take. What type of e-book that you review it will be useful for you? So, why need to get this book entitled Essentials Of Vehicle Dynamics By Joop Pauwelussen in this post? As in link download, you can get the book Essentials Of Vehicle Dynamics By Joop Pauwelussen by on the internet.

When obtaining the publication Essentials Of Vehicle Dynamics By Joop Pauwelussen by on the internet, you could read them anywhere you are. Yeah, even you remain in the train, bus, waiting checklist, or other places, online e-book Essentials Of Vehicle Dynamics By Joop Pauwelussen could be your buddy. Every single time is a great time to check out. It will certainly enhance your knowledge, fun, amusing, lesson, and encounter without investing even more money. This is why online publication Essentials Of Vehicle Dynamics By Joop Pauwelussen becomes most really wanted.

ESSENTIALS OF VEHICLE DYNAMICS BY JOOP PAUWELUSSEN PDF

Essentials of Vehicle Dynamics explains the essential mathematical basis of vehicle dynamics in a concise and clear way, providing engineers and students with the qualitative understanding of vehicle handling performance needed to underpin chassis-related research and development. Without a sound understanding of the mathematical tools and principles underlying the complex models in vehicle dynamics, engineers can end up with errors in their analyses and assumptions, leading to costly mistakes in design and virtual prototyping activities. Author Joop P. Pauwelussen looks to rectify this by drawing on his 15 years' experience of helping students and professionals understand the vehicle as a dynamic system. He begins as simply as possible before moving on to tackle models of increasing complexity, emphasizing the critical role played by tire-road contact and the different analysis tools required to consider non-linear dynamical systems. Providing a basic mathematical background that is ideal for students or those with practical experience who are struggling with the theory, Essentials of Vehicle Dynamics is also intended to help engineers from different disciplines, such as control and electronic engineering, move into the automotive sector or undertake multi-disciplinary vehicle dynamics work.

- Focuses on the underlying mathematical fundamentals of vehicle dynamics, equipping engineers and students to grasp and apply more complex concepts with ease.
- Written to help engineers avoid the costly errors in design and simulation brought about by incomplete understanding of modeling tools and approaches.
- Includes exercises to help readers test their qualitative understanding and explain results in physical and vehicle dynamics terms.

- Sales Rank: #2326576 in Books
- Published on: 2014-11-03
- Released on: 2014-10-20
- Original language: English
- Number of items: 1
- Dimensions: 9.00" h x .76" w x 6.00" l, 1.15 pounds
- Binding: Paperback
- 320 pages

About the Author

Dr. Pauwelussen has 20 years' experience in vehicle dynamics and currently teaches vehicle technology with a special interest in tires and driver behavior. He worked as Research Manager for vehicle dynamics at TNO for 11 years prior to his current position, where he managed a number of high profile research projects. At HAN University of Applied Sciences, he established a professional master's automotive program covering structural mechanics, vehicle dynamics and vehicle control. With a background in mathematics and mechanics, his research and teaching are focused on balancing practical engineering with a thorough, mathematical treatment.

Most helpful customer reviews

[See all customer reviews...](#)

ESSENTIALS OF VEHICLE DYNAMICS BY JOOP PAUWELUSSEN PDF

Be the first who are reading this **Essentials Of Vehicle Dynamics By Joop Pauwelussen** Based on some reasons, reading this publication will certainly offer more advantages. Also you require to review it detailed, web page by page, you can complete it whenever and wherever you have time. Again, this online publication **Essentials Of Vehicle Dynamics By Joop Pauwelussen** will give you easy of reading time and task. It likewise supplies the encounter that is budget friendly to get to and obtain substantially for much better life.

About the Author

Dr. Pauwelussen has 20 years' experience in vehicle dynamics and currently teaches vehicle technology with a special interest in tires and driver behavior. He worked as Research Manager for vehicle dynamics at TNO for 11 years prior to his current position, where he managed a number of high profile research projects. At HAN University of Applied Sciences, he established a professional master's automotive program covering structural mechanics, vehicle dynamics and vehicle control. With a background in mathematics and mechanics, his research and teaching are focused on balancing practical engineering with a thorough, mathematical treatment.

Why ought to be *Essentials Of Vehicle Dynamics By Joop Pauwelussen* in this site? Get much more earnings as exactly what we have actually told you. You can discover the other alleviates besides the previous one. Alleviate of obtaining guide **Essentials Of Vehicle Dynamics By Joop Pauwelussen** as just what you really want is also offered. Why? We provide you numerous type of the books that will not make you feel bored. You could download them in the web link that we give. By downloading **Essentials Of Vehicle Dynamics By Joop Pauwelussen**, you have actually taken the proper way to choose the ease one, compared with the inconvenience one.